

DIMENSION

SCALE: 1/24
 HEIGHT: 64mm
 TYRE: Ø36mm(width)
 LENGTH: 180mm
 WIDTH: 107mm
 WHEELBASE: 119mm

GT24B INSTRUCTION MANUAL

Possibly the Coolest Micro Buggy On the Planet

1:24 SCALE

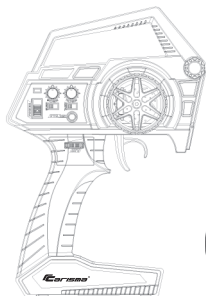
2.4GHz FHSS TECHNOLOGY

4WD
FOUR WHEEL DRIVE

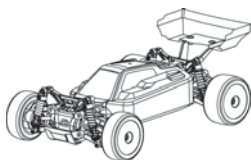


RTR
READY TO RUN

WHAT'S IN THE BOX



Transmitter



R/C Car

4 x AA Batteries



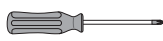
USB Charger



3.7V 500mAh LiPO Rechargeable Battery Pack



Wrench



Screwdriver (Small)



Steering Linkage



Throttle Limiter



Spur Gear 58T

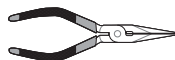


Pinion Gear 13T

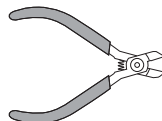


Pinion Gear 14T

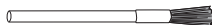
TOOLS RECOMMENDED (NOT INCLUDED)



Long Nose Pliers



Nippers



Soft Brush

SAFETY PRECAUTIONS



SAFETY PRECAUTIONS

THIS MODEL IS ONLY SUITABLE FOR PEOPLE 14 YEARS OLD AND UP.

THIS RADIO CONTROL MODEL IS NOT A TOY.

Beginner should seek advice from experienced person in order to assemble the model or parts correctly and to make best performance.

* Assemble this model or parts only in place out of children's reach, and take safe precautions before operating this model. User is fully responsible for the model assembly and safe operations.

Introduction

This is a sophisticated hobby product and not a toy. It must be operated with caution and common sense. User also requires some basic mechanical abilities. Fail to operate this product in a safe and responsible manner could result in injury or do damage to the product or other properties. This product is not intended for use by children without direct adult supervision. The product manual contains instructions for safe operation and maintenance. It is essential to read and follow all the instructions and warnings in the manual prior to assembly, setup or use, in order to operate correctly and avoid damage or injury.

Safety, Precautions, and Warnings

As the user of this product, you are solely responsible for operating it in a manner that does not endanger yourself and others or result in damage to the product or the property of others.

This model is controlled by a radio signal that is subject to interference from many sources outside your control. This interference can cause momentary loss of control so it is necessary to always keep a safe distance in all directions around your model, as this will help to avoid collisions or injury.

- Always operate your model in an open area away from cars, traffic, or people.
- Avoid operating your model on the street where injury or damage can occur.
- Never operate the model out into the street or populated areas for any reason.
- Never operate your model with low transmitter batteries.
- Carefully follow the directions and warnings for this product and any optional support equipments (chargers, rechargeable battery packs, etc.) that you use.
- Keep all chemicals, small parts and anything electrical out of the reach of children.
- Moisture causes damage to electronics. Avoid water exposure to all equipments not specifically designed and protected for this purpose.

CE Compliance Information For The European Union

The associated regulatory agencies of the following countries recognize the noted certifications for this product as authorized for sale and use.

UK	DE	DK	BG	SE	CZ	ES	NL	SK	HU	RO	FR	PT
FI	EE	LV	LT	PL	AT	CY	SI	GR	MT	IT	IE	LU

Declaration of Conformity

Products: Carisma CTX-8000 2.4GHz Transmitter, MRS-24BL Receiver

Equipment Class: 2

The objects of declaration described above are in conformity with the requirements of the specifications listed below.

Item Name : Carisma CTX-8000 2.4GHz Transmitter and MRS-24BL Receiver

EN 301 489-1 V1.9.2

EN 301 489-17 V2.2.1

ETSI EN 300 328 V1.8.1

Directive 1999/5/EC (R&TTE)

Article 3.1a Health

Article 3.1b EMC

Article 3.2 Radio Spectrum

FCC ID YDTCTX-8000

Statement - This device complies with Part 15 of the FCC Rules.

Operation is subject to the following two conditions:

- (1) this device may not cause harmful interference, and
- (2) this device must accept any interference received, including interference that may cause undesired operation.

Changes or modifications not expressly approved by the party responsible for compliance could void the user's authority to operate the equipment.

RF Exposure Warning:

This equipment complies with FCC radiation exposure limits set forth for an uncontrolled environment.

And should be operated with minimum distance of 20 cm between the antenna & your body.

Manufactured By : Mun Ah Plastic Electronic Toys Company.,Ltd

ABOUT THE RADIO SYSTEM

Carisma CTX-8000 2.4GHz FHSS Technology System

The following is an overview of the various functions and adjustments found on CTX-8000 radio system for Carisma models. It is important to read and understand about all of these functions and adjustments before driving.

FUNCTIONS

TRANSMITTER CTX-8000

Steering Wheel : Control direction (Left/Right) of the RC model.

Throttle Trigger : Control speed and direction (Forward/Brake/Backward) of the driving model.

ON / OFF Switch : Power ON / OFF the transmitter.

FTN Key : Is used to synchronize the connection between the transmitter and the receiver. It also serves as additional function on different model.

LED Indicator : Green and Red color for indicating battery low, pairing in progress, End-Points setting and normal operation.

ATV : Adjust the maximum steering angle on both sides when model turns Left / Right.

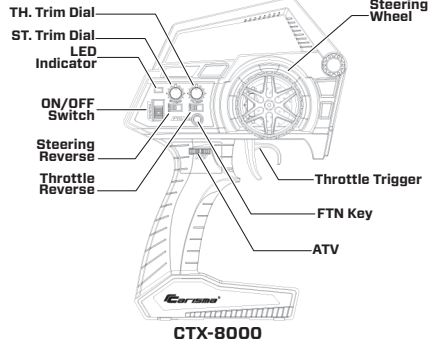
ST. Trim Dial : Adjust the neutral position of steering servo when model wheels are straight ahead.

TH. Trim Dial : To adjust the throttle position

Steering Reverse : Reverse the response direction when operating Steering Wheel.

Throttle Reverse : Reverse the response direction when operating Throttle Trigger.

* In general, user will experience under steer when making a wide turn at high speed or over steer when making sharp turn at high speed (easy to spin out). User should practice the Throttle and steering approach for different cornering at different speed or road surface.



Battery Installation

1. Supplied with 4 x 1.5V AA Batteries, radio can be operated a few hours. Installation: Remove the battery compartment cover as shown below.

2. Install the batteries observing the polarity marked on battery compartment.

3. Then reinstall the battery compartment cover as the Picture shown below.

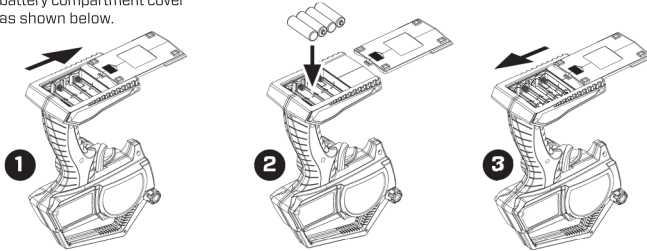
Warning :

Never disassemble batteries or put the batteries in fire, chemical agents, otherwise they may cause personal injuries or property damages.

Battery Disposal :

Observe corresponding regulations about wasted battery treatment regulations.

1. After running out of power, dispose of wasted batteries in designated areas far away from water supply, household areas and planted areas.
2. Submit the wasted batteries to specific recycling stations.

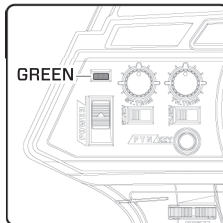


Battery LED Indicator

The Green LED indicator located on the front left side of the transmitter indicates the power supply of batteries. The green LED will go solid on indicating that the batteries have sufficient power. When batteries voltage drops below 4 volts, LED will turn to Flashing RED, indicating the batteries power is low and should be replaced.

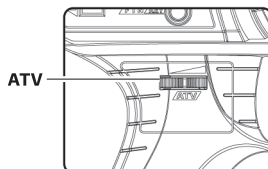
Solid GREEN :
Sufficient Power supply

Flashing RED :
Time to replace batteries

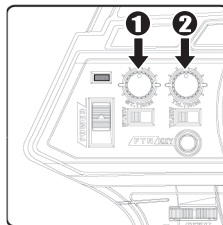


ATV

ATV enables to adjust the maximum steering angle of servo on both sides (Left and Right) when model makes steering. The ATV affects the sensitivity of servo. Reducing dual rate value can lower the sensitivity of servo and reduce the same maximum steering angle on both sides. Remember to adjust the ATV within the adjustment range.



Pre-Run Check



1. Steering : Adjust the steering trim to keep the front wheels in straight line when steering wheel remains in NEUTRAL position.

2. Throttle : Adjust the throttle trim to ensure the rear wheels stop rotating when throttle trigger remains in NEUTRAL position.

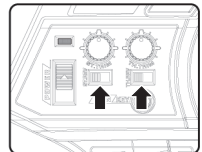
* Always turn on the transmitter first by sliding the switch on the left side from bottom to top. The small red and green lights above the switch should both light up. If not, you need to check for low or incorrectly installed batteries.

Reversing

Reversing is used to change the response direction of steering wheel and throttle trigger. This Transmitter features 2 reversing functions: Steering Reverse and Throttle Reverse.

Steering Reverse: Reverse the response direction when operating steering wheel. Turning left steering wheel, the model turns right while turning right the model turns left.

Throttle Reverse: Reverse the response direction when operating throttle trigger. Pushing forward throttle trigger the model moves backward while pulling back, the model moves forward. If necessary you can just use a small screwdriver to adjust the or responding switches.



Throttle Limiter

Installed the Throttle limiter can reduced Throttle travel by 30% . Ideal for beginner.

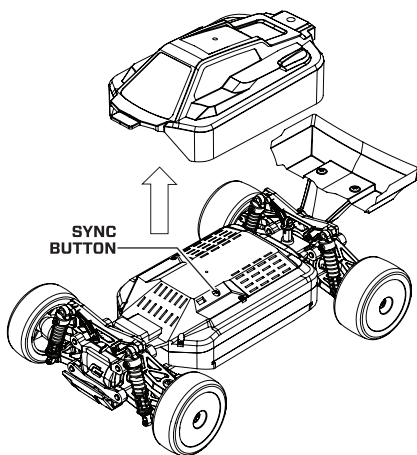


RECEIVER CONNECTION AND INSTALLATION

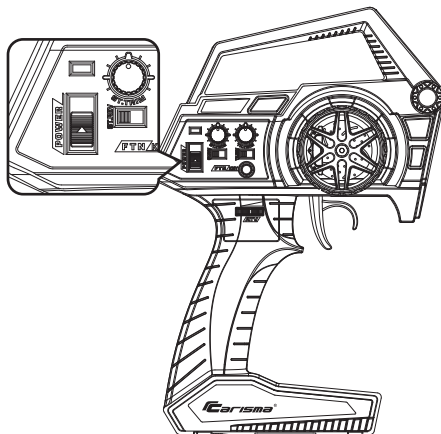
Carisma MRS-24BL RX/ESC Unit Synchronization

To Sync the Radio to the Car

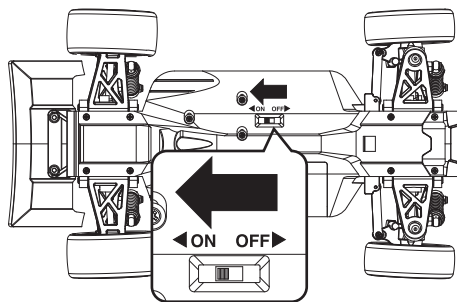
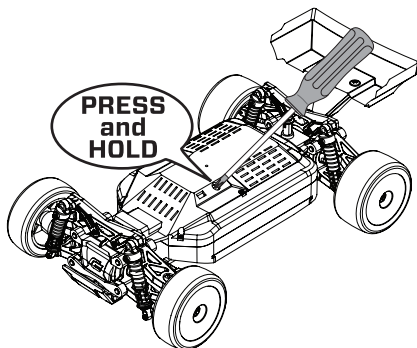
STEP 1: Locate the SYNC button on the main chassis by removing the body (the Round button)



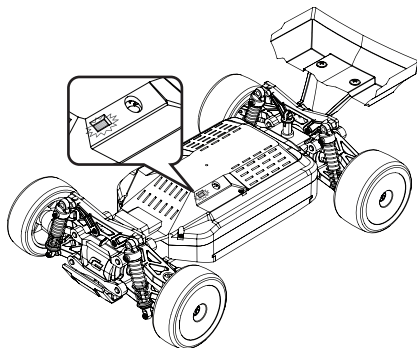
STEP 2: Keep the Radio Power to **OFF** Position



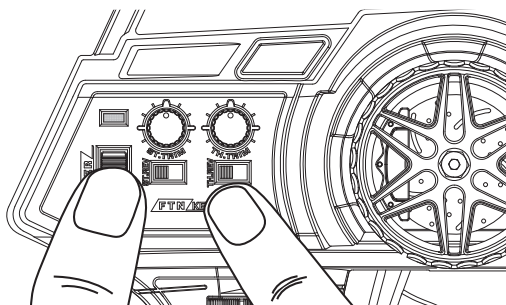
STEP 3: Press and HOLD the Chassis SYNC Round Button while Power ON



STEP 4: The LED will flash, release the SYNC button



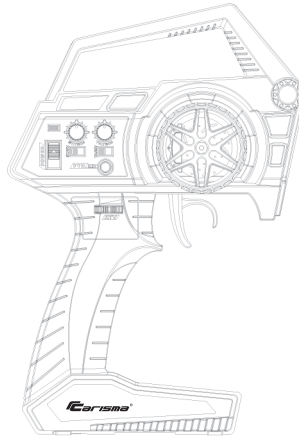
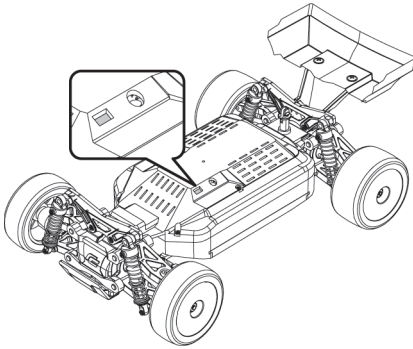
STEP 5: PRESS and HOLD the FTN Key on the transmitter and Power ON



RECEIVER CONNECTION AND INSTALLATION

STEP 6: The Transmitter will now Connect with the Car.

STEP 7: LED ON SOLIDLY and its now READY to play

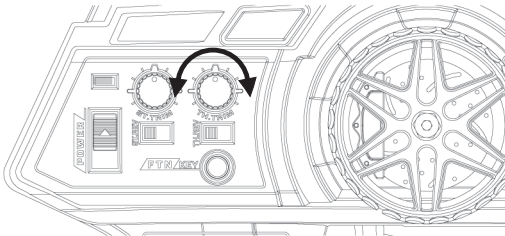


MRS-24BL RX/ESC UNIT SETUP

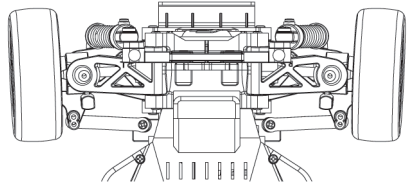
ESC SETUP

Just use the TH. Trim to locate the Neutral Position. Nothing else to set.

The ESC is a Forward and Brake/Reverse function.



Neutral Position



WARNING:

Maximum is 2S LiPo (7.4V) DO NOT EXCEED this voltage, otherwise will damage and void warranty.

CARISMA MRS-24BL RX/ESC UNIT FEATURES

Receiver (RX) Section

2.4GHz Receiver : HOLD the SYNC button while power up to start pairing to Transmitter.

ESC Section

Brushless motor : Connect Brushless Motor's Micro 3-wire connector to the ESC.

Over Voltage Protection: If battery voltage above 8.8V, ESC will STOP operation.

- Auto cut-off voltage:
- 1S LiPo, cut-off voltage = 3.6V
- 2S LiPo, cut-off voltage = 6.6V

Thermal Protection: Temperature at Thermal sensor approx 80-100°C

Motor Overloading and Stall Detection: Cut-off time is depending on Battery voltage, Motor loading condition, Throttle level, etc.

Max Reverse Speed: 50%

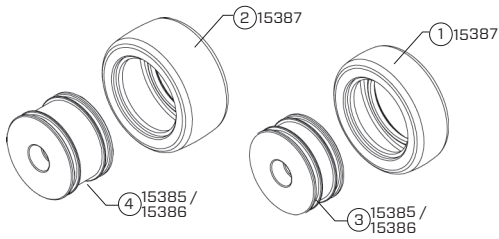
Smart Brake: When Throttle move from Forward to Backward, the ESC will apply Brake for certain of time, and then drive motor at Reverse direction. Similarly for Throttle move from Backward to Forward. The time of Braking inserted is depended on what is the current speed of the motor.

RX Power OFF reminder : After Loss of RF signal over 5 sec., will use LED and servo to warn the user to POWER OFF the car

- LED quickly Flashed 2 times per 2 sec.
- Servo will be moved once shortly per 10 sec.

LED indicator : Indicator the TX is detected.

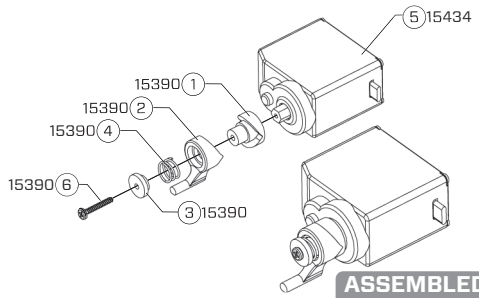
FRONT & REAR WHEEL ASSEMBLY



GT24B-01

ITEM NO.	DESCRIPTION
1	15387 38° SHORE FRONT TIRE
2	15387 38° SHORE REAR TIRE
3	15385/15386 GT24B FRONT WHEEL (GREEN)/GT24B FRONT WHEEL (ORANGE)
4	15385/15386 GT24B REAR WHEEL (GREEN)/GT24B REAR WHEEL (ORANGE)

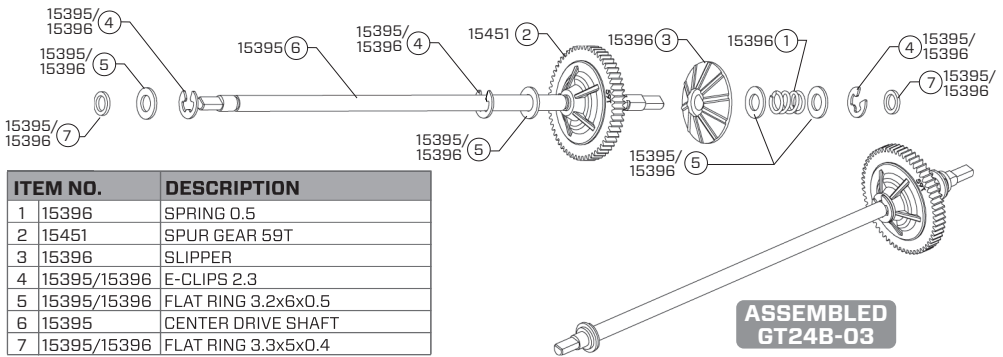
SERVO SAVER ASSEMBLY



ASSEMBLED GT24B-02

ITEM NO.	DESCRIPTION
1	15390 SERVO HORN ADAPTOR
2	15390 SERVO HORN
3	15390 SERVO SPACER
4	15390 SERVO SPRING
5	15434 MS-24B SERVO
6	15390 SCREW 1.2x8PB

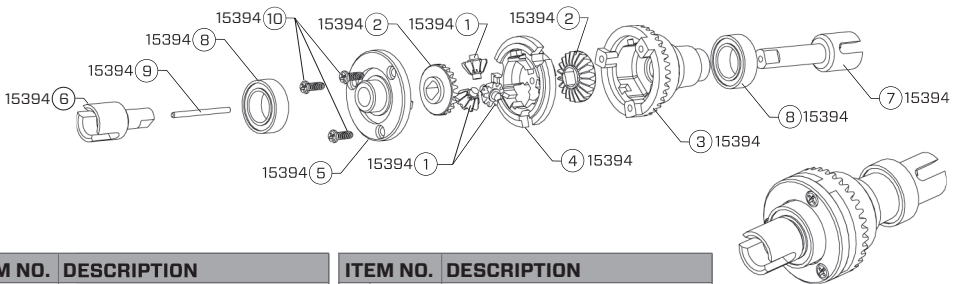
CENTER DRIVE ASSEMBLY



ASSEMBLED GT24B-03

ITEM NO.	DESCRIPTION
1	15396 SPRING 0.5
2	15451 SPUR GEAR 59T
3	15396 SLIPPER
4	15395/15396 E-CLIPS 2.3
5	15395/15396 FLAT RING 3.2x6x0.5
6	15395 CENTER DRIVE SHAFT
7	15395/15396 FLAT RING 3.3x5x0.4

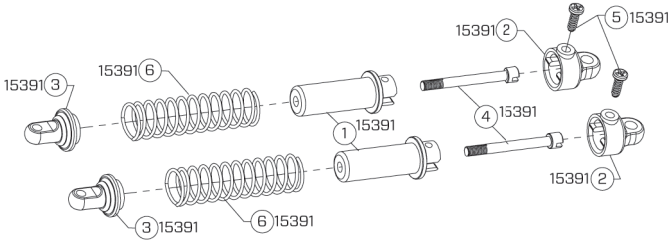
GEAR DIFFERENTIAL ASSEMBLY



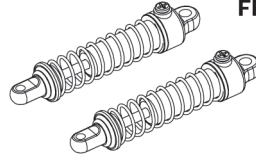
ASSEMBLED GT24B-04

ITEM NO.	DESCRIPTION	ITEM NO.	DESCRIPTION
1	15394 9T BEVEL GEAR	6	15394 DIFFERENTIAL OUTDRIVE (SHORT)
2	15394 21T BEVEL GEAR	7	15394 DIFFERENTIAL OUTDRIVE (LONG)
3	15394 DIFFERENTIAL HOUSING A	8	15394 BEARING 6x10x3mm
4	15394 DIFFERENTIAL HOUSING B	9	15394 ADAPTOR PIN
5	15394 DIFFERENTIAL HOUSING C	10	15394 SCREW 1.4x4PB

FRICTION DAMPER ASSEMBLY



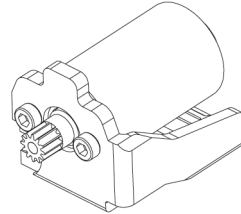
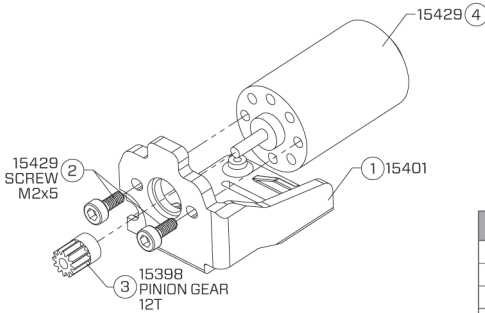
**FRONT & REAR
FRICTION DAMPER**



**ASSEMBLED
GT24B-05**

ITEM NO.	DESCRIPTION
1	15391 PLASTIC FRICTION DAMPER SHOCK BODY
2	15391 PLASTIC FRICTION DAMPER SHOCK TOP BALL CAP
3	15391 PLASTIC FRICTION DAMPER SPRING RETAINER
4	15391 SHOCK SHAFT
5	15431 SCREW 1.4x 4PB
6	15391 FRICTION DAMPER SPRING

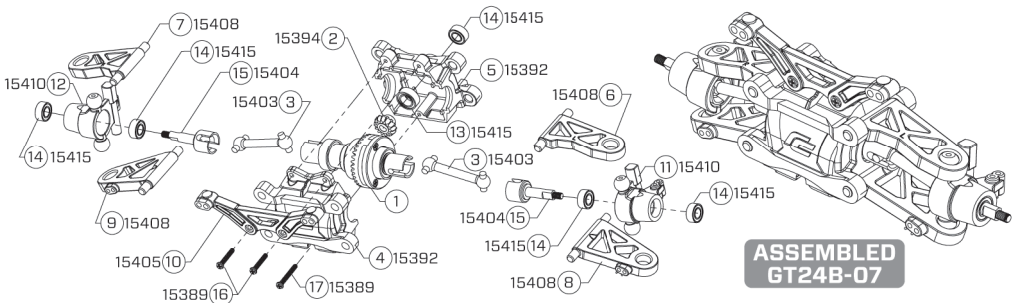
MOTOR MOUNT ASSEMBLY



**ASSEMBLED
GT24B-06**

ITEM NO.	DESCRIPTION
1	15401 MOTOR MOUNT
2	15401 SCREW 2x5cm
3	15398 PINION GEAR 12T
4	15429 8000KV MINI 130 BRUSHLESS SENSORLESS MOTOR

FRONT GEAR BOX & SUSPENSION ARMS ASSEMBLY

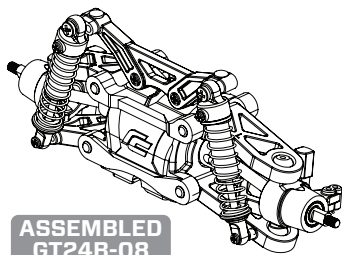
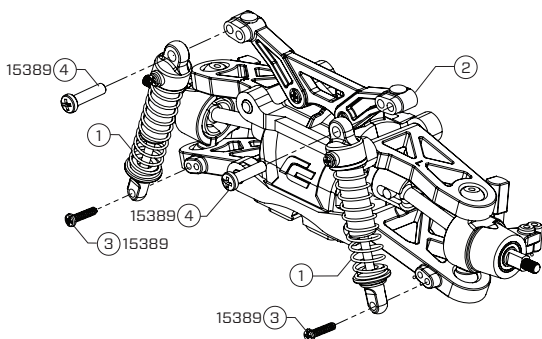


**ASSEMBLED
GT24B-07**

ITEM NO.	DESCRIPTION
1	GT24B-04 GEAR DIFFERENTIAL ASSEMBLED
2	15394 14T BEVEL GEAR
3	15403 DOG BONE
4	15392 FRONT GEAR BOX A
5	15392 FRONT GEAR BOX B
6	15408 UPPER SUSPENSION ARM FL
7	15408 UPPER SUSPENSION ARM FR
8	15408 LOWER SUSPENSION ARM FL
9	15408 LOWER SUSPENSION ARM FR

ITEM NO.	DESCRIPTION
10	15405 FRONT SHOCK TOWER
11	15410 FRONT HUB L
12	15410 FRONT HUB R
13	15415 BEARING 4x7x2.5
14	15415 BEARING 3x6x2.5
15	15404 OUTDRIVE SHAFT
16	15389 SCREW 1.4x8PB
17	15389 SCREW 1.4x10PB

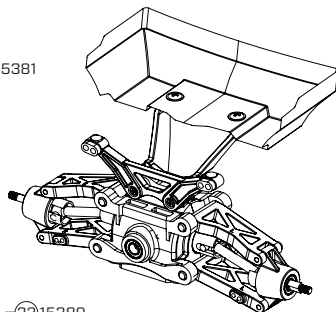
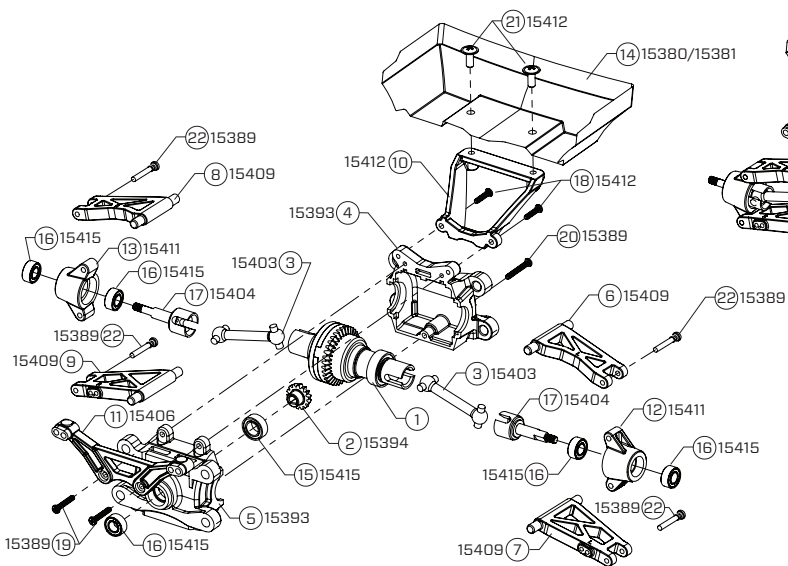
FRONT GEAR BOX & FRICTION DAMPER ASSEMBLY



**ASSEMBLED
GT24B-08**

ITEM NO.	DESCRIPTION
1	GT24B-05 FRICTION DAMPER ASSEMBLED
2	GT24B-07 F.GEAR BOX & SUSPENSION ARMS ASSEMBLED
3	15389 SCREW 1.4x6PB
4	15389 SCREW 2x8PM

REAR GEAR BOX & SUSPENSION ARMS ASSEMBLY

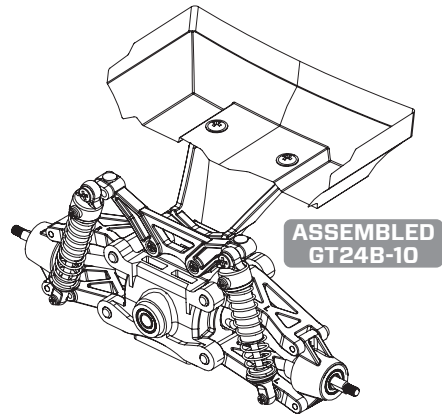
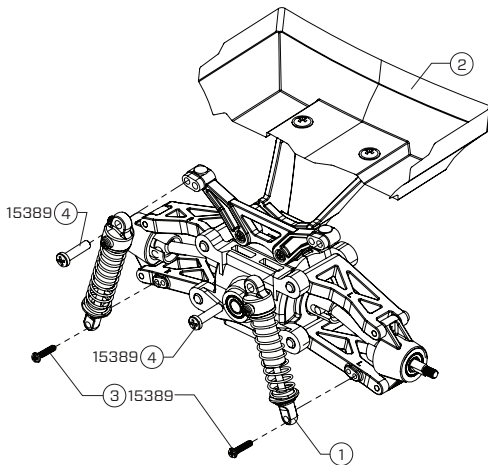


**ASSEMBLED
GT24B-09**

ITEM NO.	DESCRIPTION
1	GT24B-04 GEAR DIFFERENTIAL ASSEMBLED
2	15394 14T BEVEL GEAR
3	15403 DOG BONE
4	15393 REAR GEAR BOX A
5	15393 REAR GEAR BOX B
6	15409 UPPER SUSPENSION ARM RL
7	15409 LOWER SUSPENSION ARM RL
8	15409 UPPER SUSPENSION ARM RR
9	15409 LOWER SUSPENSION ARM RR
10	15412 REAR WING MOUNT
11	15406 REAR SHOCK TOWER

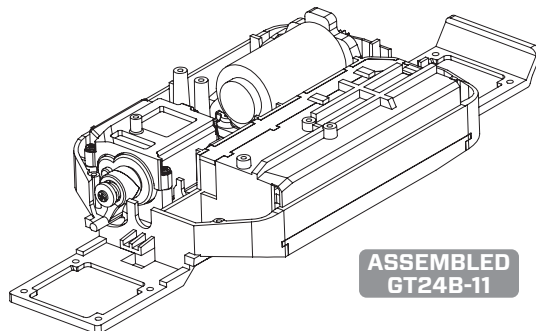
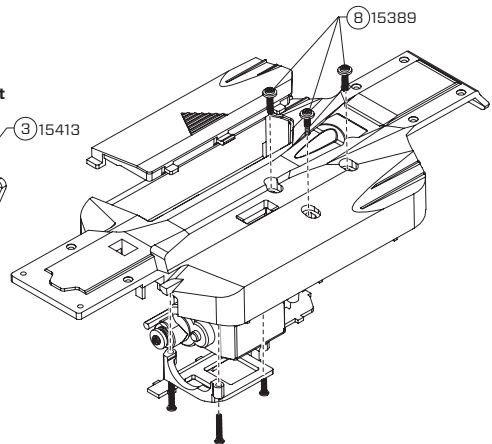
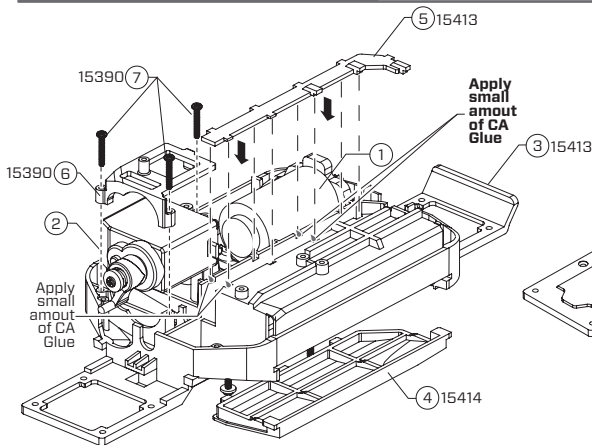
ITEM NO.	DESCRIPTION
12	15411 REAR HUB L
13	15411 REAR HUB R
14	15380/15381 GT24B REAR WING
15	15415 BEARING 4x7x2.5
16	15415 BEARING 3x6x2.5
17	15404 OUTDRIVE SHAFT
18	15412 SCREW 1.4x6PB
19	15389 SCREW 1.4x8PB
20	15389 SCREW 1.4x10PB
21	15412 SCREW 2x5PWW
22	15389 SCREW 1.4x10PB

REAR GEAR BOX & FRICTION DAMPER ASSEMBLY



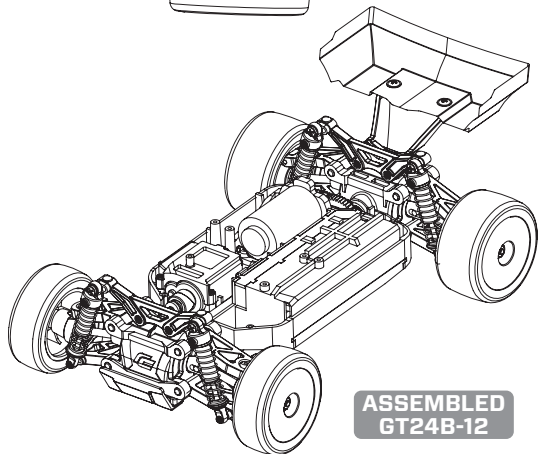
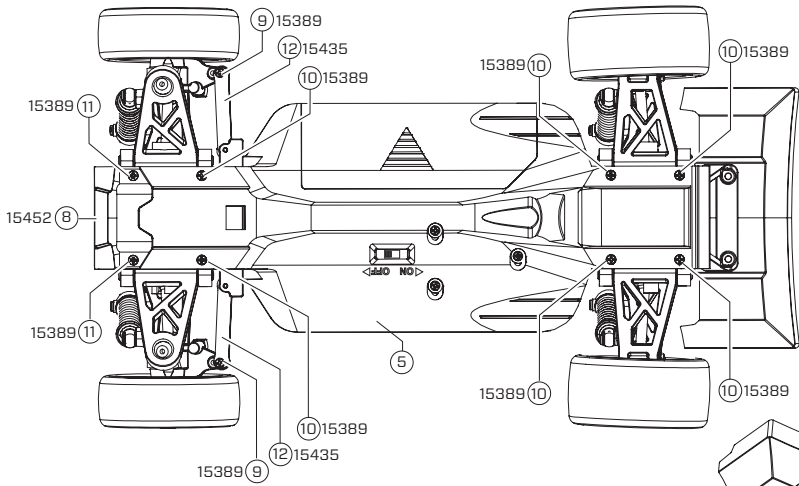
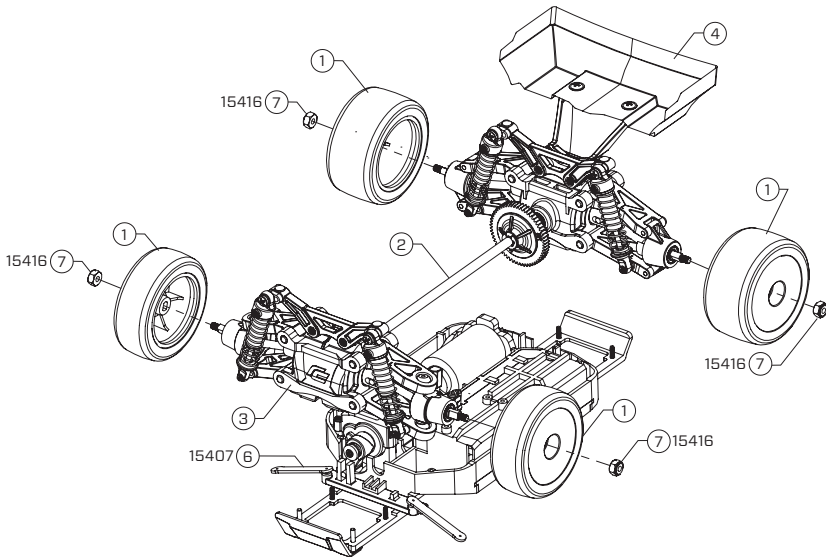
ITEM NO.	DESCRIPTION
1	GT24B-05 FRICTION DAMPER ASSEMBLED
2	GT24B-09 REAR GEAR BOX ASSEMBLED
3	15389 SCREW 1.4x6PB
4	15389 SCREW 2x8PM

MAIN CHASSIS ASSEMBLY



ITEM NO.	DESCRIPTION
1	GT24B-06 MOTOR MOUNT ASSEMBLED
2	GT24B-02 SERVO SAVER ASSEMBLED
3	15413 CHASSIS
4	15414 BATTERY COVER
5	15413 CHASSIS INSERT
6	15390 SERVO MOUNT
7	15390 SCREW 1.4x8PB
8	15389 SCREW 1.6x6PWB

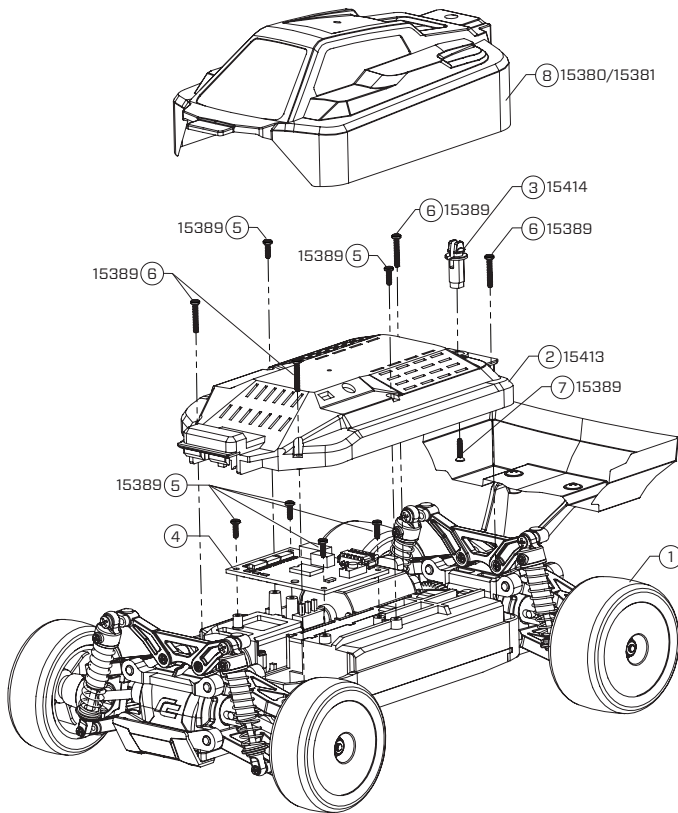
MAIN CHASSIS ASSEMBLY



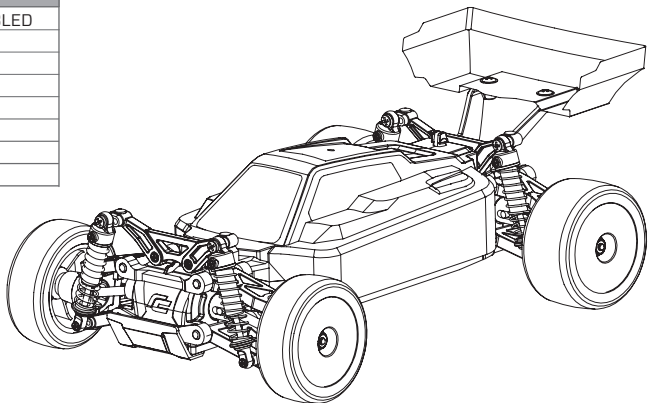
ITEM NO.	DESCRIPTION
1	GT24B-01 FRONT & REAR WHEEL ASSEMBLED
2	GT24B-03 CENTER DRIVE ASSEMBLED
3	GT24B-08 FRONT GEAR BOX & FRICTION DAMPER ASSEMBLED
4	GT24B-10 REAR GEAR BOX & FRICTION DAMPER ASSEMBLED
5	GT24B-11 MAIN CHASSIS ASSEMBLED
6	15407 STEERING LINK
7	15416 PLASTIC SCREW NUT
8	15452 FRONT BUMPER
9	15389 SCREW 1.4x5PM
10	15389 SCREW 1.4x6KB
11	15389 SCREW 1.4x8KB
12	15435 STEERING LINKAGE

**ASSEMBLED
GT24B-12**

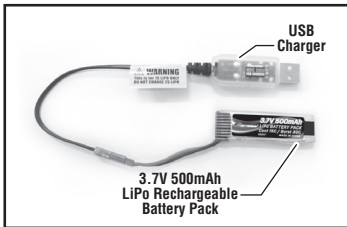
MAIN CHASSIS ASSEMBLY



ITEM NO.	DESCRIPTION
1	GT24B-12 MAIN CHASSIS ASSEMBLED
2	15413 COVER
3	15414 BODY POST
4	MRS-24BL RECEIVER/ESC UNIT
5	15389 SCREW 1.4x4PB
6	15389 SCREW 1.4x8PB
7	15389 SCREW 1.4x6KB
8	15380/15381 GT24B CAR BODY



BATTERY PACK & CHARGER MANUAL



WARNING

To reduce the risk of fire, electric shock or injury, carefully follow these instructions.

This manual contains important safety and operating instructions for your charger. Before using the battery charger, read all the following in this instructions manual on the battery chargers and the rechargeable batteries to be charged, and on the products that use the rechargeable batteries.

THIS BATTERY CHARGER (MBC-2010) HAS BEEN DESIGNED TO SAFELY CHARGE A 1S 3.7V LI-PO BATTERY.

THIS IS FOR 1S LIPO BATTERY **ONLY DO NOT CHARGE 2S LIPO BATTERY**

Charging

Please follow these steps to charge your 1S 3.7V Li-Po battery.

1. Insert the charger into a USB port. The charger only uses power from the USB port, it will not connect to your computer.
2. Connect the battery to the charger. When you make the connection successfully, the ORANGE LED on the charger turns ON, indicating charging has begun. The light goes out when the charge is completed.

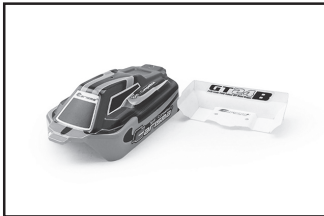
Operation

- The battery pack cannot be fully charged when it is in a low temperature environment.
- To charge a very hot after use battery pack can permanently lose its ability to charge.
- Unplug the charger before attempting any maintenance or cleaning.

CAUTION

- The battery charger is not a toy.
- Never let the charger or battery pack get wet or damp.
- Overcharging can damage the battery pack. Follow the indicated recharging time.
- Check the batteries regularly for leakage.
- Non-rechargeable batteries are not to be recharged.
- Do not disassemble the charger. Take it to a qualified service technician when service or repair is required. Improper reassembly may result in a risk of fire, electric shock, or injury to persons.
- Do not recharge the battery pack while it is still hot after use. Wait until it has cooled down before recharge.
- Use only the recommended batteries or batteries of equal quality.
- Do not short circuit - all cables should be insulated. If necessary, use vinyl tape for insulation (NOT INCLUDED).
- Do not leave battery pack charger unattended when charging.
- The supply terminals are not to be short-circuited.
- Packing has to be kept since it contains important information.
- Do not expose the charger to rain or excessive moisture.
- Do not operate the charger if it has received a sharp blow, or been dropped or damaged in any way. Take it to a qualified service technician to repair.
- To reduce the risk of damage to the cord, disconnect the charger by pulling plug rather than the cord.
- Do not use an extension cord. It could result in fire or electric shock.
- Do not operate the charge if the cord or plug is damaged. Repair the charger. Never alter the provided cord or plug. Never use the charger as a DC power source for any other electrical equipments.
- Rechargeable battery pack can explode if under incorrectly or non stop charging.
- Always observe the polarity to correctly connect : Positive (+) to Positive (+) Negative (-) to Negative (-).

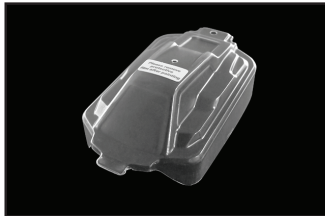
SPARE PARTS LIST



15380 **4892793153805**
GT24B CH EDITION CAR BODY PAINTED AND DECORATED BODY
 GT24B CH EDITION CAR BODY 1
 GT24B REAR WING 1
 CARISMA LOGO SHEET 1



15381 **4892793153812**
GT24B PS EDITION CAR BODY PAINTED AND DECORATED BODY
 GT24B PS EDITION CAR BODY 1
 GT24B REAR WING 1
 CARISMA LOGO SHEET 1



15382 **4892793153829**
GT24B CLEAR CAR BODY
 GT24B CLEAR CAR BODY 1



15383 **4892793153836**
GT24B CLEAR REAR WING
 GT24B CLEAR REAR WING 1



15384 **4892793153843**
GT24B CH/PS EDITION DECAL SHEET
 GT24B CH/PS EDITION DECAL SHEET 1



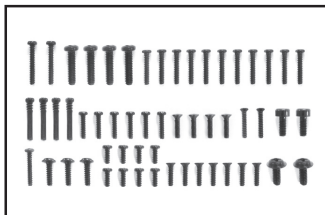
15385 **4892793153850**
GT24B ORANGE WHEEL SET
 GT24B FRONT WHEEL (ORANGE) 2
 GT24B REAR WHEEL (ORANGE) 2



15386 **4892793153867**
GT24B GREEN WHEEL SET
 GT24B FRONT WHEEL (GREEN) 2
 GT24B REAR WHEEL (GREEN) 2

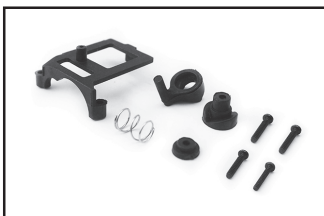


15387 **4892793153874**
GT24B 38 SHORE TIRE SET
 38 SHORE FRONT TIRE 2
 38 SHORE REAR TIRE 2



15389 **4892793153898**
GT24B HARDWARE SET

SCREW 1.4x4 PB	16	SCREW 1.6x6 PWB	3
SCREW 1.4x8 PB	11	SCREW 1.4x6 KM	4
SCREW 1.4x10 PB	2	SCREW 1.4x6 KB	7
SCREW 1.4x6 PB	6	SCREW 1.4x8 KB(D=2.5)	2
SCREW 2x8 PM	4	SCREW 2x5 CM	2
SCREW 2x5 PWM	2	SCREW 1.2x8 PB	1
SCREW 1.4x10 PB	4		

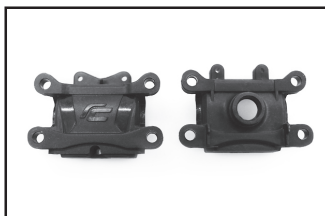


15390 **4892793153904**
GT24B SERVO SAVER AND MOUNT

SERVO HORN ADAPTOR	1	SERVO MOUNT	1
SERVO HORN	1	SCREW 1.4x8 PB	3
SERVO SPACER	1	SCREW 1.2x8 PB	1
SERVO SPRING	1		

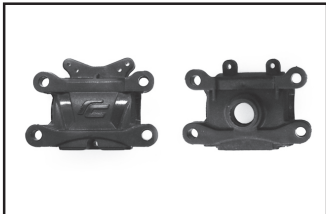


15391 **4892793153911**
GT24B SHOCK ASSEMBLED (PR.)
 GT24B SHOCK ASSEMBLED 2

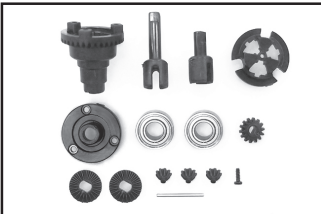


15392 **4892793153928**
GT24B FRONT GEAR BOX HOUSING
 FRONT GEAR BOX A 1
 FRONT GEAR BOX B 1

SPARE PARTS LIST



15393 4892793153935
GT24B REAR GEAR BOX HOUSING
 REAR GEAR BOX A 1
 REAR GEAR BOX B 1



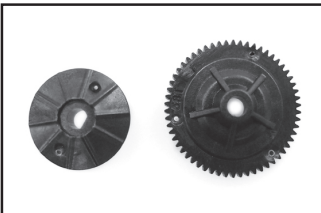
15394 4892793153942
GT24B DIFFERENTIAL GEAR SET
 9T BEVEL GEAR 3
 21T BEVEL GEAR 2 (LONG)
 DIFFERENTIAL HOUSING A 1
 DIFFERENTIAL HOUSING B 1
 DIFFERENTIAL HOUSING C 1
 DIFFERENTIAL OUTDRIVE (SHORT) 1
 DIFFERENTIAL OUTDRIVE 1
 BEARING 6x10x3 2
 ADAPTOR PIN 1
 SCREW 1.4x4 PB 3
 14T BEVEL GEAR 1



15395 4892793153959
GT24B CENTER DRIVE SHAFT SET
 FLAT RING 3.2x6x0.5 2
 E-CLIPS 2.3 2
 CENTER DRIVE SHAFT 1
 FLAT RING 3.3x5x0.4 1



15396 4892793153966
GT24B SLIPPER SET
 SLIPPER 1
 FLAT RING 3.2x6x0.5 2
 SPRING 0.5 1
 E-CLIPS 2.3 1
 FLAT RING 3.3x5x0.4 1



15397 4892793153973
GT24B SPUR GEAR 58T
 SPUR GEAR 58T 1
 SLIPPER 1



15398 4892793153980
GT24B PINION GEAR 12T
 GT24B PINION GEAR 12T 1



15399 4892793153997
GT24B PINION GEAR 13T
 GT24B PINION GEAR 13T 1



15400 4892793154000
GT24B PINION GEAR 14T
 GT24B PINION GEAR 14T 1



15401 4892793154017
GT24B MOTOR MOUNT SET
 MOTOR MOUNT 1
 SCREW 2x5 CM 2
 SCREW 1.6x6 PWB 3



15402 4892793154024
GT24B DIFFERENTIAL OUTDRIVE SET
 DIFFERENTIAL OUTDRIVE (SHORT) 1
 DIFFERENTIAL OUTDRIVE (LONG) 1



15403 4892793154031
GT24B DOG BONE PAIR
 DOG BONE 2



15404 4892793154048
GT24B OUTDRIVE SET
 OUTDRIVE SHAFT 2

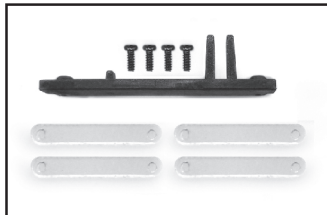
SPARE PARTS LIST



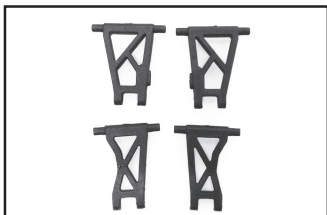
15405 4892793154055
GT248 FRONT SHOCK TOWER
 FRONT SHOCK TOWER 1



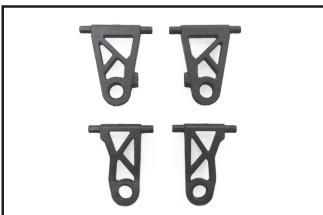
15406 4892793153812
GT248 REAR SHOCK TOWER
 REAR SHOCK TOWER 1



15407 4892793154079
GT248 STEERING LINKAGE
 STEERING LINKAGE 4
 STEERING LINK 1
 SCREW 1.4x5 PM 4



15408 4892793154086
GT248 FRONT SUSPENSION ARM SET
 UPPER SUSPENSION ARM FL 1
 UPPER SUSPENSION ARM FR 1
 LOWER SUSPENSION ARM FL 1
 LOWER SUSPENSION ARM FR 1



15409 4892793154093
GT248 REAR SUSPENSION ARM SET
 UPPER SUSPENSION ARM RL 1
 UPPER SUSPENSION ARM RR 1
 LOWER SUSPENSION ARM RL 1
 LOWER SUSPENSION ARM RR 1



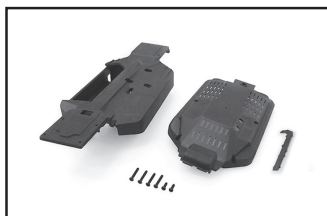
15410 4892793154109
GT248 FRONT HUB SET
 FRONT HUB L 1
 FRONT HUB R 1



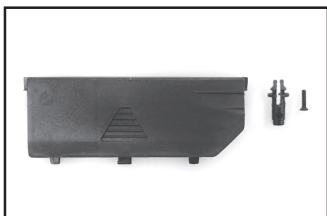
15411 4892793154116
GT248 REAR HUB SET
 REAR HUB L 1
 REAR HUB R 1



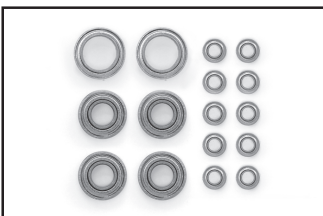
15412 4892793154123
GT248 REAR WING MOUNT SET
 REAR WING MOUNT 1
 SCREW 2x5 PWM 1
 SCREW 1.4x6 PB 1



15413 4892793154130
GT248 CHASSIS AND COVER SET
 CHASSIS 1
 CHASSIS INSERT 1
 COVER 1
 SCREW 1.4x4 PB 2
 SCREW 1.4x8 PB 4



15414 4892793154147
GT248 BODY POST AND BATTERY COVER
 BATTERY COVER 1
 SCREW 1.4x6 KB 1
 BODY POST 1

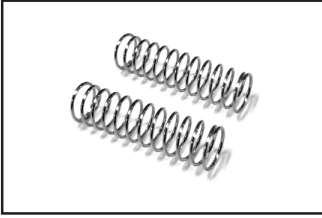


15415 4892793154154
GT248 BEARING SET
 BEARING 3x6x2.5 10
 BEARING 4x7x2.5 2
 BEARING 6x10x3 4

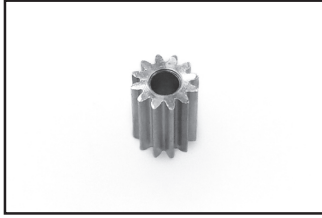


15416 4892793154161
GT248 PLASTIC SCREW NUT FOR WHEEL
 PLASTIC SCREW NUT 4

SPARE PARTS LIST



15420 4892793154208
GT24B SPRING MIDDLE FOR PLASTIC FRICTION DAMPER (PAIR)
 PLASTIC OIL-SHOCK SPRING MIDDLE 2



15426 4892793154260
GT24B METAL PINION GEAR 12T
 METAL PINION GEAR 12T 1



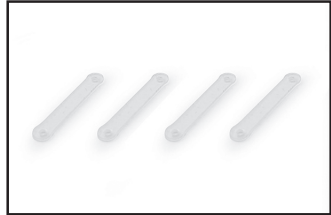
15429 4892793154291
8000KV MINI 130 BRUSHLESS SENSORLESS MOTOR
 8000KV MINI 130 BRUSHLESS SENSORLESS MOTOR 1



15431 4892793154314
GT24B LIPO BATTERY 3.7V 500mAh
 LIPO BATTERY 3.7V 500mAh 1



15434 4892793154345
GT24B REPLACEMENT SERVO
 MS-24B SERVO 1



15435 4892793154352
GT24B STEERING LINKS SET
 STEERING LINKAGE 4



15451 4892793154512
GT24B SPUR GEAR 59T
 SPUR GEAR 59T 1
 SLIPPER 1



15452 4892793154529
GT24B FRONT BUMPER SET
 FRONT BUMPER 1
 SCREW 1.4x8KB 2

OPTION PARTS



15388 **4892793153881**
GT248 55 SHORE TIRE SET
 55 SHORE FRONT TIRE 2
 55 SHORE REAR TIRE 2



15417 **48927931544178**
GT248 METAL DOG BONE PAIR
 METAL DOG BONE 2



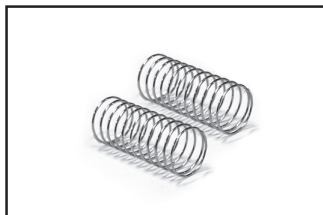
15418 **4892793154185**
GT248 ALUMINUM ADJUSTABLE OIL-SHOCK SET (PAIR)
 OIL SHOCK TOP BALL CAP 2
 OIL SHOCK CARTRIDGE GEAR 2
 OIL SHOCK SPRING RETAINER 2
 OIL SHOCK BODY 2
 ADJUSTABLE RING 2
 OIL SHOCK SHAFT 2
 OIL SHOCK SPRING 2
 OIL SHOCK VALVE 2
 O-RING 4



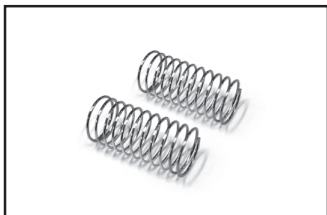
15419 **4892793154192**
GT248 SPRING SOFT FOR PLASTIC FRICTION DAMPER (PAIR)
 PLASTIC OIL-SHOCK SPRING SOFT 2



15421 **4892793154215**
GT248 SPRING HARD FOR PLASTIC FRICTION DAMPER (PAIR)
 PLASTIC OIL-SHOCK SPRING HARD 2



15422 **4892793154222**
GT248 SPRING SOFT FOR METAL OIL-SHOCK (PAIR)
 METAL OIL-SHOCK SPRING SOFT 2



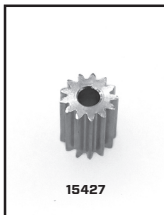
15423 **4892793154239**
GT248 SPRING HARD FOR METAL OIL-SHOCK (PAIR)
 METAL OIL-SHOCK SPRING HARD 2



15424 **4892793154246**
GT248 CF FRONT SHOCK TOWER SET
 CF FRONT SHOCK TOWER 1
 SCREW 1.4x6 PB 2
 SPACER 2
 M2 SCREW NUT 2
 SCREW 2x12 PM 2



15425 **4892793154253**
GT248 CF REAR SHOCK TOWER SET
 CF REAR SHOCK TOWER 1
 SCREW 1.4x6 PB 2
 SPACER 2
 M2 SCREW NUT 2
 SCREW 2x12 PM 2



15427

15427 **4892793154277**
GT248 METAL PINION GEAR 13T
 METAL PINION GEAR 13T 1



15428

15428 **4892793154284**
GT248 METAL PINION GEAR 14T
 METAL PINION GEAR 14T 1



15430 **4892793154307**
12000KV MINI 130 BRUSHLESS SENSORLESS MOTOR
 12000KV MINI 130 BRUSHLESS SENSORLESS MOTOR 1



15432 **4892793154321**
GT248 LIPO BATTERY 2S 7.4V 350mAh
 LIPO BATTERY 2S 7.4V 350mAh 1

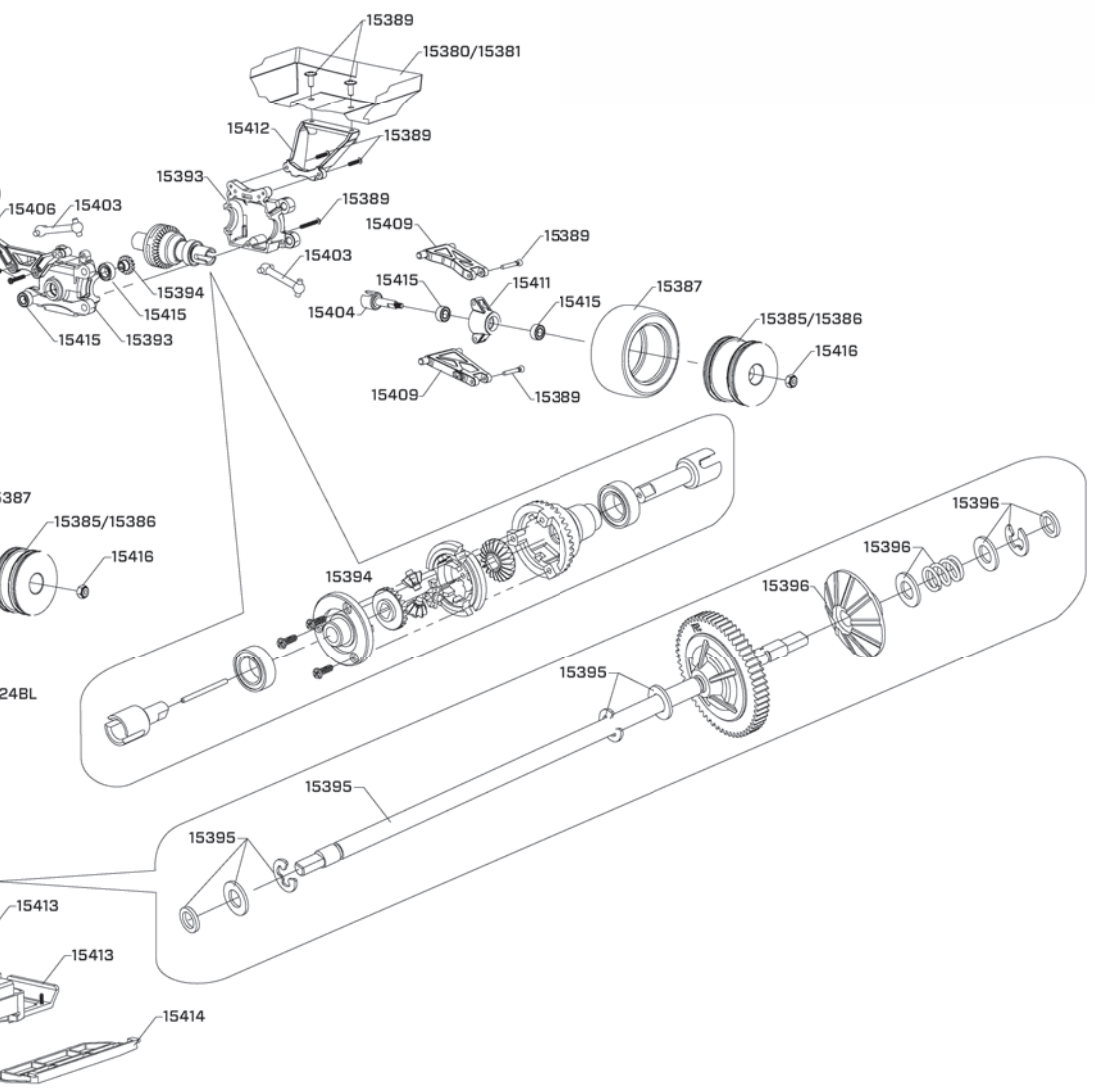
39
15414
15389

15413

15414

401

15426





Visit Us on www.carisma.com.hk
Also available at www.carisma-shop.com

©2015 Carisma. All Rights Reserved. Product specifications are subject to change.
Some models shown are prototypes which may vary slightly from what is inside.

Printed in China
MAN-G00545

