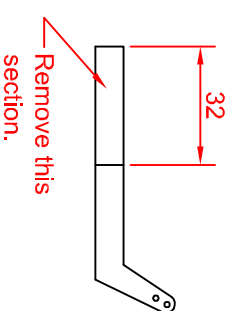
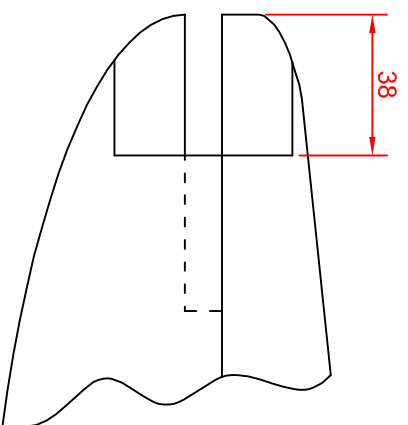
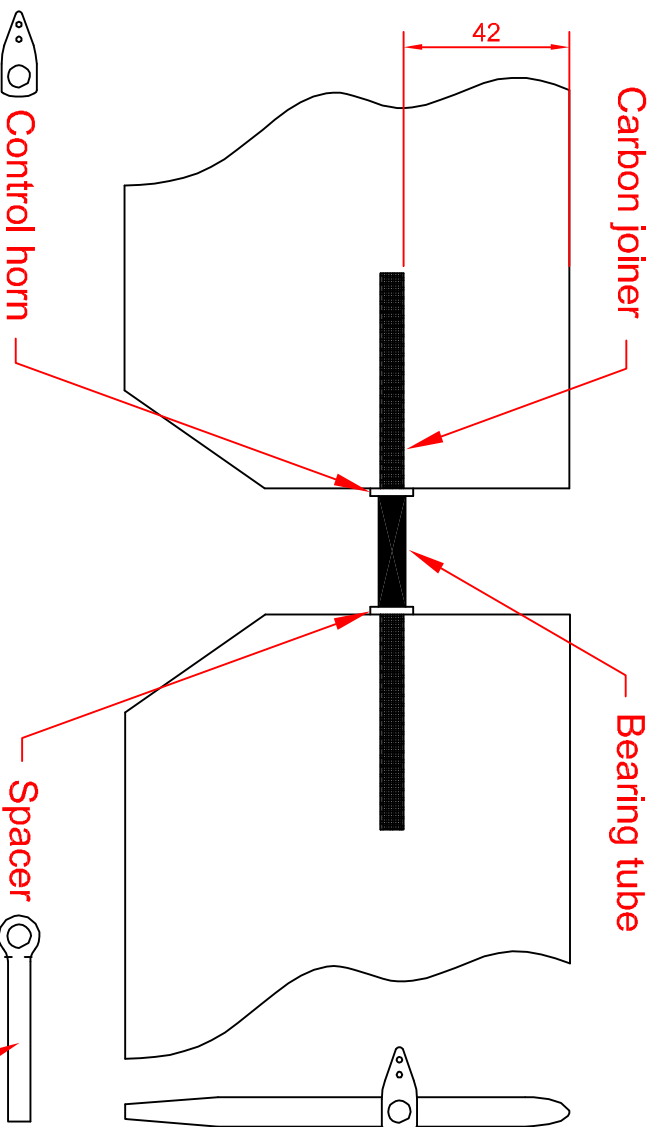
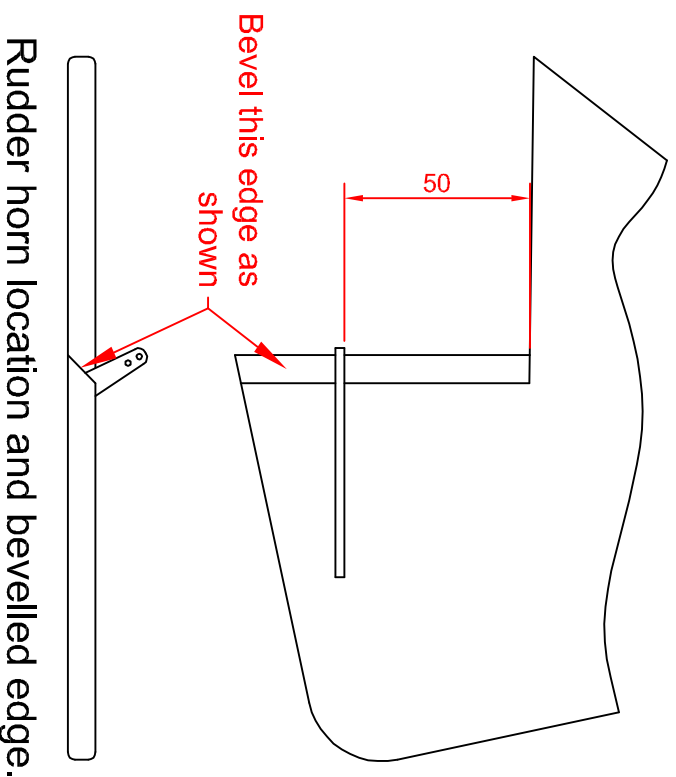


GWS geared motor/mount cut-outs.



Aileron control horn.



Elevator section - left hand side elevator removed for clarity.

Elevator assembly shown from the underside.